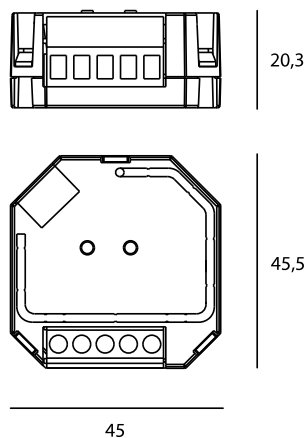
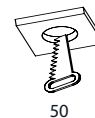



TRIAC RF + PUSH DIMMER 230VAC



MAX. POWER	200W	VOLTAGE	230 VAC
CUTOUT SHAPE / SIZE	50 MM	IP	20
DIMMABLE	TRIAC PUSH-DIM + RF	DIMENSIONS LxWxH (mm)	45 x 45,5 x 20,3



MODELS

ARTICLE N°	DESCRIPTION	COLOUR
 900341001001	1 CHANNEL TRIAC DIMMER + RF RECEIVER	WHITE