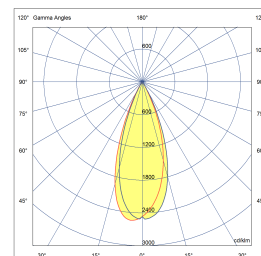
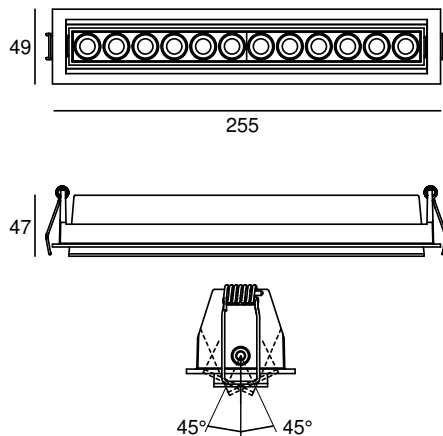


DOT 12 DIRECTABLE



245 x 40



POWERLED(S)	12 x 2 Watt incl.	LENS	36°
CRI	90+	VOLTAGE	24W - 500mA
GEAR / DRIVER	Included L 120 x H 28 x W 44	POWER SUPPLY	500mA, 25-50V-, Max.25W
FORWARD VOLTAGE	60V	MATERIAL	Aluminium
MOUNTING DEPTH	40 mm	WEIGHT	0,400 KG
CUTOUT SHAPE / SIZE	Square 245mm x 40mm	IP	20



OPTIONS: All other Dimmable protocols are available on request.

MODELS

	ARTICLE N°	DESCRIPTION	COLOUR	VISOR COLOUR	KELVIN	LUMEN
	036101212709	DOT 12 DIRECTABLE INT. WARM WHITE	BLACK STRUC.	WHITE STRUC.	2700	1634
	036101213009	DOT 12 DIRECTABLE INT. WARM WHITE	BLACK STRUC.	WHITE STRUC.	3000	1634
	036101212710	DOT 12 DIRECTABLE INT. WARM WHITE	BLACK STRUC.	BLACK STRUC.	2700	1634
	036101213010	DOT 12 DIRECTABLE INT. WARM WHITE	BLACK STRUC.	BLACK STRUC.	3000	1634
	036101212711	DOT 12 DIRECTABLE INT. WARM WHITE	BLACK STRUC.	GOLD STRUC.	2700	1634
	036101213011	DOT 12 DIRECTABLE INT. WARM WHITE	BLACK STRUC.	GOLD STRUC.	3000	1634

ARTICLE N° DESCRIPTION COLOUR VISOR COLOUR KELVIN LUMEN

	036101212706	DOT 12 DIRECTABLE INT. WARM WHITE	WHITE STRUC.	WHITE STRUC.	2700	1634
	036101213006	DOT 12 DIRECTABLE INT. WARM WHITE	WHITE STRUC.	WHITE STRUC.	3000	1634
	036101212707	DOT 12 DIRECTABLE INT. WARM WHITE	WHITE STRUC.	BLACK STRUC.	2700	1634
	036101213007	DOT 12 DIRECTABLE INT. WARM WHITE	WHITE STRUC.	BLACK STRUC.	3000	1634
	036101212708	DOT 12 DIRECTABLE INT. WARM WHITE	WHITE STRUC.	GOLD STRUC.	2700	1634
	036101213008	DOT 12 DIRECTABLE INT. WARM WHITE	WHITE STRUC.	GOLD STRUC.	3000	1634
	ARTICLE N°	DESCRIPTION	COLOUR	VISOR COLOUR	KELVIN	LUMEN
	036101212712	DOT 12 DIRECTABLE INT. WARM WHITE	ANY RAL	WHITE STRUC.	2700	1634
	036101213012	DOT 12 DIRECTABLE INT. WARM WHITE	ANY RAL	WHITE STRUC.	3000	1634
	036101212713	DOT 12 DIRECTABLE INT. WARM WHITE	ANY RAL	BLACK STRUC.	2700	1634
	036101213013	DOT 12 DIRECTABLE INT. WARM WHITE	ANY RAL	BLACK STRUC.	3000	1634
	036101212714	DOT 12 DIRECTABLE INT. WARM WHITE	ANY RAL	GOLD STRUC.	2700	1634
	036101213014	DOT 12 DIRECTABLE INT. WARM WHITE	ANY RAL	GOLD STRUC.	3000	1634