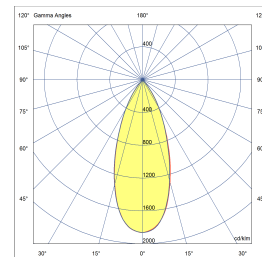
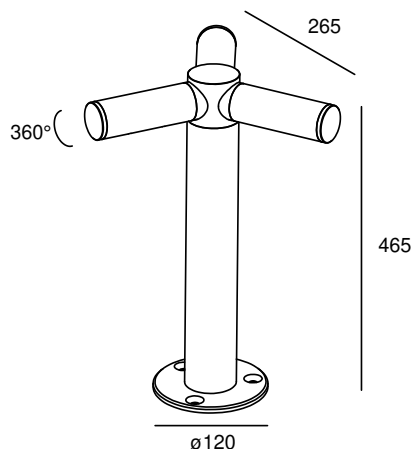


# TRIPOD 3 FLOOR 500L



|               |                  |               |                    |
|---------------|------------------|---------------|--------------------|
| POWERLED(S)   | 6 x 5 Watt incl. | ADJUSTABILITY | 360°               |
| CRI           | 90+              | VOLTAGE       | 230 VAC - 50/60 Hz |
| GEAR / DRIVER | 230 VAC LED      | MATERIAL      | Aluminium          |
| WEIGHT        | 1,6 KG           | IP            | 65                 |



**SPECIAL:** Other finishing on request, real brons, real stainless steel 316L EL

## MODELS

|  | ARTICLE N°   | DESCRIPTION                            | COLOUR       | KELVIN | LUMEN |
|--|--------------|--|--------------|--------|-------|
|  | 012132522702 | TRIPOD 2 FLOOR 500L EXT. WARM WHITE    | BLACK STRUC. | 2700   | x     |
|  | 012132523002 | TRIPOD 2 FLOOR 500L EXT. WARM WHITE    | BLACK STRUC. | 3000   | x     |
|  | 012132524002 | TRIPOD 2 FLOOR 500L EXT. NATURAL WHITE | BLACK STRUC. | 4000   | x     |
|  | 012132522715 | TRIPOD 2 FLOOR 500L EXT. WARM WHITE    | GREY STRUC.  | 2700   | x     |
|  | 012132523015 | TRIPOD 2 FLOOR 500L EXT. WARM WHITE    | GREY STRUC.  | 3000   | x     |
|  | 012132524015 | TRIPOD 2 FLOOR 500L EXT. NATURAL WHITE | GREY STRUC.  | 4000   | x     |
|  | 012132522703 | TRIPOD 2 FLOOR 500L EXT. WARM WHITE    | ANY RAL      | 2700   | x     |
|  | 012132523003 | TRIPOD 2 FLOOR 500L EXT. WARM WHITE    | ANY RAL      | 3000   | x     |
|  | 012132524003 | TRIPOD 2 FLOOR 500L EXT. NATURAL WHITE | ANY RAL      | 4000   | x     |