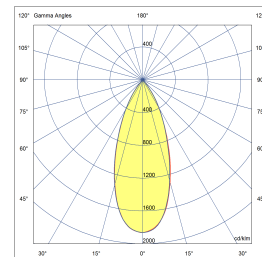
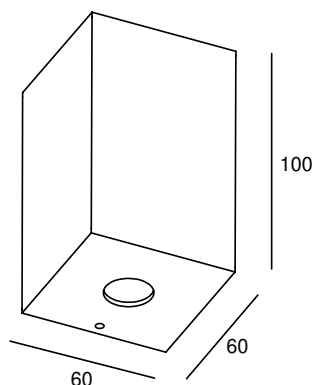
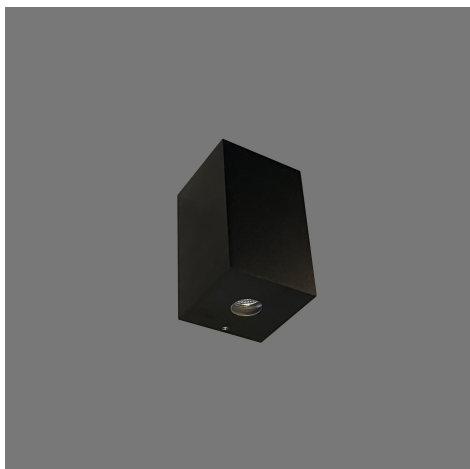


LU-DO DOWN



POWERLED(S)	1 x 5 Watt incl.	REFLECTOR	40°
CRI	90+	VOLTAGE	230 VAC - 50/60 Hz
GEAR / DRIVER	230 VAC LED	MATERIAL	Aluminium
WEIGHT	0,3 KG	IP	20



MODELS

	ARTICLE N°	DESCRIPTION	COLOUR	KELVIN	LUMEN
	033041132702	LUDO DOWN 5W EXT. WARM WHITE	BLACK STRUC.	2700	490
	033041133002	LUDO DOWN 5W EXT. WARM WHITE	BLACK STRUC.	3000	500
	033041134002	LUDO DOWN 5W EXT. NATURAL WHITE	BLACK STRUC.	4000	525
	033041132701	LUDO DOWN 5W EXT. WARM WHITE	WHITE STRUC.	2700	490
	033041133001	LUDO DOWN 5W EXT. WARM WHITE	WHITE STRUC.	3000	500
	033041134001	LUDO DOWN 5W EXT. NATURAL WHITE	WHITE STRUC.	4000	525
	033041132703	LUDO DOWN 5W EXT. WARM WHITE	ANY RAL	2700	490
	033041133003	LUDO DOWN 5W EXT. WARM WHITE	ANY RAL	3000	500
	033041134003	LUDO DOWN 5W EXT. NATURAL WHITE	ANY RAL	4000	525