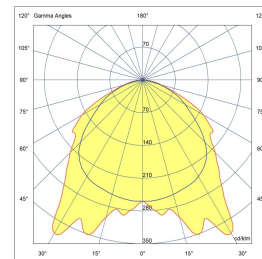
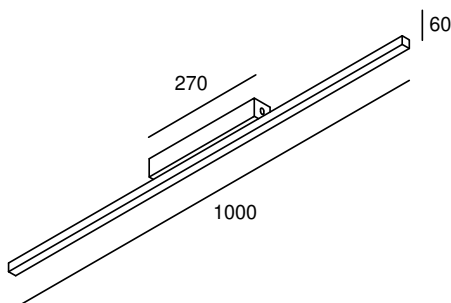


# BARR CEILING DOWN 1M



SMD LED(S)	180 per meter	MAX. POWER	14,5 Watt 1,21A
BEAM ANGLE	120°	CRI	90+
GEAR / DRIVER	Included	POWER SUPPLY	Constant voltage 12V DC
MATERIAL	Aluminium / Pmma Defuser	WEIGHT (KG)	0,5
IP	20		



**SPECIAL:** Deferent length available on demand.

## MODELS

	ARTICLE N°	DESCRIPTION	COLOUR	KELVIN	LUMEN
	004041012702	BARR CEILING DOWN 2 METERS INT. WARM WHITE	BLACK STRUC.	2700	1100
	004041013002	BARR CEILING DOWN 2 METERS INT. WARM WHITE	BLACK STRUC.	3000	1200
	004041014002	BARR CEILING DOWN 2 METERS INT. NATURAL WHITE	BLACK STRUC.	4000	1320
	004041016002	BARR CEILING DOWN 2 METERS INT. COLD WHITE	BLACK STRUC.	6000	1500
	004041012701	BARR CEILING DOWN 2 METERS INT. WARM WHITE	WHITE STRUC.	2700	1100
	004041013001	BARR CEILING DOWN 2 METERS INT. WARM WHITE	WHITE STRUC.	3000	1200
	004041014001	BARR CEILING DOWN 2 METERS INT. NATURAL WHITE	WHITE STRUC.	4000	1320
	004041016001	BARR CEILING DOWN 2 METERS INT. COLD WHITE	WHITE STRUC.	6000	1500
	004041012703	BARR CEILING DOWN 2 METERS INT. WARM WHITE	ANY RAL	2700	1100
	004041013003	BARR CEILING DOWN 2 METERS INT. WARM WHITE	ANY RAL	3000	1200
	004041014003	BARR CEILING DOWN 2 METERS INT. NATURAL WHITE	ANY RAL	4000	1320
	004041016003	BARR CEILING DOWN 2 METERS INT. COLD WHITE	ANY RAL	6000	1500